

SYSTEM Z PRELUDE 24 / BANDRASTER / CORRIDOR

Components for concealed / semi-concealed plank systems

Key Attributes

- Z-Bar or Prelude 24 Butt Cut for a monolithic visual in corridor installations
- Installed with Prelude 24 or Bandraster for semi-concealed appearance in room installations
- Accessible system with SL2 planks

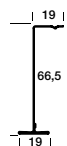
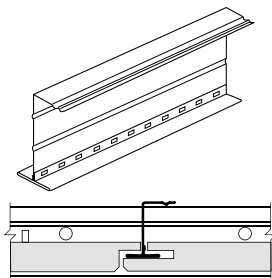
Application area

Retail outlets / Industrial manufacturing / Circulation areas

Physical data

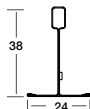
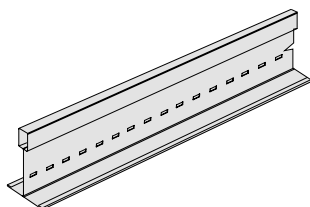
- Material: galvanised steel
- Surface finish: galvanised / Baked polyester paint
- Colour: n/a (Z-Bar) / Global White (Prelude 24 Butt Cut)

SEMI-CONCEALED

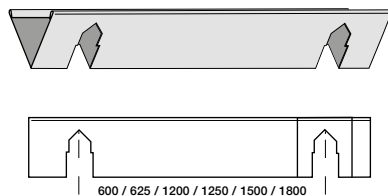


Item Nr.	Description	Dimensions length (mm)	Content pcs	Carton lm	Weight / Carton kg
CZ 41 494 J	Z-Bar 30,5 mm	1500	20	30,00	10,20
CZ 41 794 J	Z-Bar 30,5 mm	1800	20	36,00	12,30
CZ 41 795 J	Z-Bar 66,5 mm	2500	10	25,00	12,10

Z-Bars special lengths available : Z-Bar 30,5 mm from 500 mm up to 1800 mm and Z-Bar 66,5 mm from 1801 mm to 2500 mm.



CB 31 36 32	Prelude 24 Butt Cut	1500	38	45,00	14,50
CB 31 34 32	Prelude 24 Butt Cut	1800	38	54,00	16,90



C 180 L 600	Spacer Bar	600	50	30,00	5,40
C 180 L 625	"	625	50	31,25	5,60
C 180 L 1200	"	1200	50	60,00	10,60
C 180 L 1250	"	1250	50	61,25	11,00
C 180 L 1500	"	1500	50	75,00	13,20
C 180 L 1800	"	1800	50	90,00	9,50

Spacer bar lengths for different distances between main runners or Bandrasters are available on request, with min. 300 mm - max 2500 mm length.

GRID LOAD CAPACITIES

The following table gives the maximum permitted load capacity of the tile weights in kg/m² along the different profiles for the spacings noted.

Item Nr.	Length	≤ 300mm	Spacing ≤ 450mm	≤ 600mm
Z-Bars				
CZ 41 494 J	1500 mm	16,1	10,7	8,1
CZ 41 794 J	1800 mm	10,8	7,2	5,4
CZ 41 795 J	2500 mm	14,0	9,3	7,0
Prelude 24 Butt Cut				
CB 31 36 32	1500 mm	26,9	17,9	13,4
CB 31 34 32	1800 mm	13,2	10,8	8,1

1) No other applied loads such as luminaires, air diffusers, smoke detectors, sprinklers, hanging signs etc are permitted.

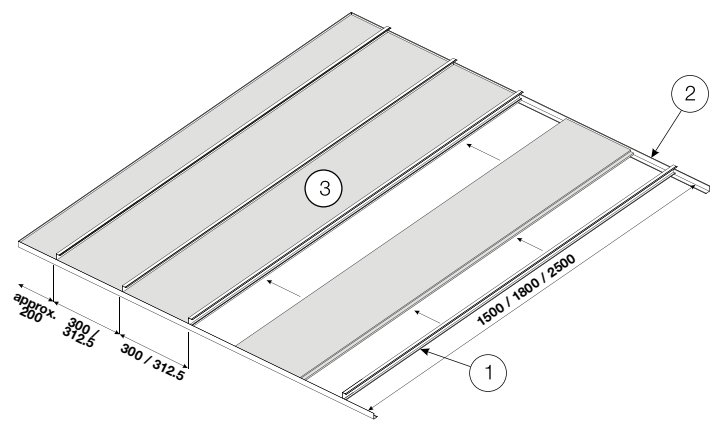
2) No overlays such as mineral wool or fibre glass quilts, as may be required for enhanced acoustics, fire or thermal performance, are permitted unless their full weight is established and included, together with the weight of the tile, within the appropriate weight groups.



● SYSTEM DRAWING

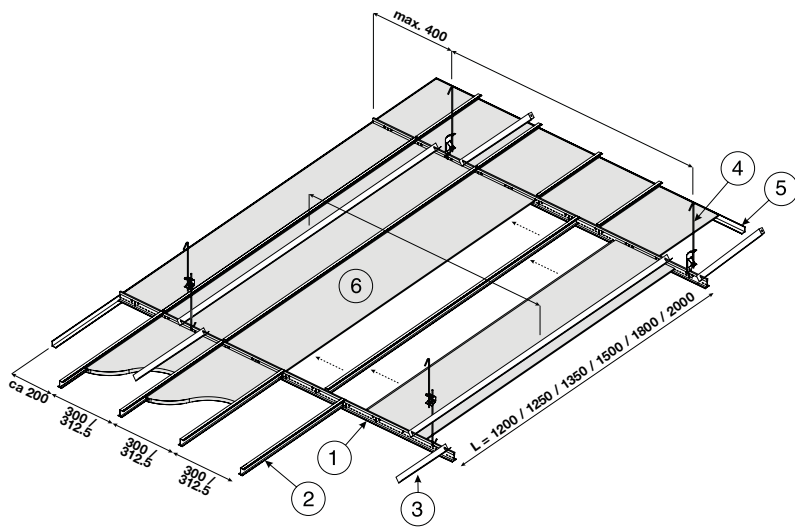
Semi-concealed SL2
Corridor installation

- ① Z-Bar*
- ② Perimeter trim
- ③ Plank



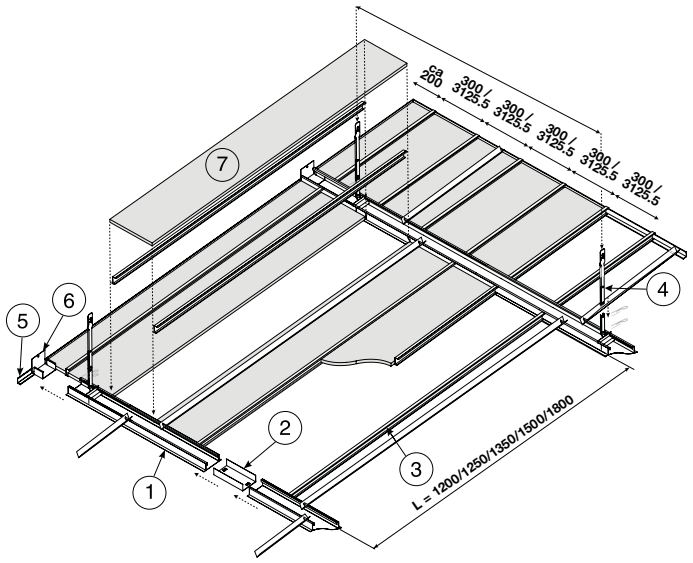
Semi-concealed SL2
(Room installation)

- ① Main Runner
- ② Z-Bar*
- ③ Spacer Bar
- ④ Hanger
- ⑤ Perimeter trim
- ⑥ Plank



Semi-Concealed SL2/K2C2
Bandraster room installation

- ① Bandraster (slotted)
- ② Splice
- ③ Z-bar*
- ④ Nonius hanger
- ⑤ Perimeter trim
- ⑥ Wall connector
- ⑦ Plank



*The Prelude 24 Butt Cut can be used as an alternative to the Z-Bar.
All measurements in millimetres. All sizes are nominal.

Availability of products may vary according to location. Please contact Armstrong Technical Sales for further details.