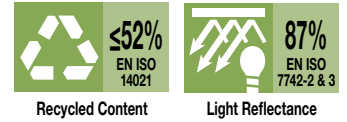
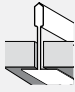
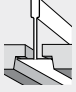
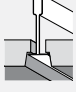
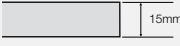
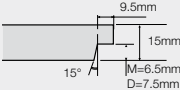
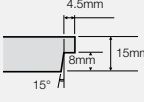



BIOGUARD PLAIN (ISO 5)



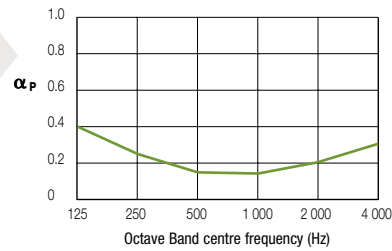
# BIOGUARD PLAIN (ISO 5)




BIOGUARD	BOARD	TEGULAR	MICROLOOK
	 Prelude XL <sup>2</sup> /TLX / CR 24 mm Clean Room Grid 24 mm	 Prelude XL <sup>2</sup> /TLX 24 mm Clean Room Grid 24 mm	 Prelude XL <sup>2</sup> /TL 15 mm Interlude XL <sup>2</sup> 15 mm
			
600 x 600 x 15 mm	2221 M	2223 M	2224 M
625 x 625 x 15 mm	2221 D	2223 D	2224 D
600 x 1200 x 15 mm	2222 M		
625 x 1250 x 15 mm	2222 D		


 $\alpha_w$	NRC	125	250	500	1000	2000	4000	Hz
<b>0.20(L)</b>	0.20	0.40	0.25	0.15	0.15	0.20	0.30	$\alpha_p$
<b>Class E</b>								

EN ISO 354 & EN ISO 11654



 $D_{nfw}$
<b>35 dB</b>

EN ISO 10848-2 & EN ISO 717-1


 $R_w$
<b>19 dB</b>

EN ISO 140-3 & EN ISO 717-1

 EEA	Euroclass A2-s1, d0
---	---------------------

EN 13501-1

RUS	KM1 (G1, V1, D1, T1) FZ 123
-----	-----------------------------

 $\lambda$	= 0.06 W/m K
---	--------------


EN 12667 & ISO 8301

 ISO 5
---

ISO 14644-1

 95 % RH
---

**15YEAR**  
guarantee

 Kg	3.6 - 4.6 kg/m <sup>2</sup>
--	-----------------------------

Please contact our Armstrong Technical Sales Group for further details.

[www.armstrong.eu](http://www.armstrong.eu)

**Armstrong®**