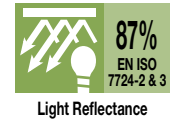


ULTIMA+ OP

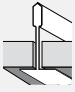
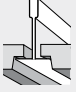
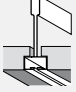
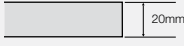
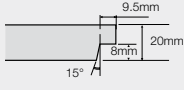
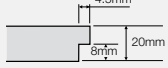
www.armstrong.eu

Armstrong[®]

ULTIMA+ OP



ULTIMA+ OP

	BOARD	TEGULAR	MICROLOOK 90
			
	Prelude XL ² /TLX 24 mm Prelude Sixty ²	Prelude XL ² /TLX 24 mm Prelude Sixty ²	Prelude XL ² /TL 15 mm Interlude XL ² 15 mm
			
600 x 600 x 20 mm	7682 M	7678 M	7685 M
625 x 625 x 20 mm	7682 D	7678 D	7685 D
675 x 675 x 20 mm	7683 M	7679 M	7686 M
600 x 1200 x 20 mm	7684 M	7680 M	7687 M



EN ISO 354 & EN ISO 11654

α_w	NRC	125	250	500	1000	2000	4000	Hz	α_p
1.00	0.95	0.40	0.80	1.00	0.95	1.00	1.00		

Sound Absorption Class = A



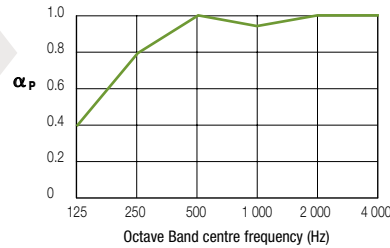
EN ISO 10848-2 & EN ISO 717-1

D_{nfw}	25 dB
------------------------	-------



EN ISO 140-3 & EN ISO 717-1

R_w	10 dB
----------------------	-------



EEA	Euroclass A2-s1, d0
	EN 13501-1

RUS	KM1 (G1, V1, D1, T1)
	FZ 123



EN 12667 & ISO 8301

$\lambda = 0.037 \text{ W/m K}$



95 % RH



ISO 14644-1

ISO 5



15 YEAR guarantee



30 YEAR system guarantee



≈ 3.7 kg/m²



Please contact our Armstrong Technical Sales Group for further details.

www.armstrong.eu



Armstrong[®]